



### **Inverter 12kw**

This Inverter 12kw is a low frequency off grid inverter, suitable for off grid home system. It is a pure sine wave inverter with wide AC input range, suitable for various loads. It has complete protection function, input over/low voltage, overload, short circuit, low battery voltage, over temperature etc.

### **Inverter 12kw**

Welcome to wholesale and buy customized Inverter 12kw from our factory. You are welcomed to come to our factory to buy the latest selling, newest, cheap, fashion and high quality Inverter 12kw. You can rest assured to buy discount product from us. We look forward to cooperating with you, if you want to know more, you can consult us now, we will reply to you in time!



### **Low frequency single phase solar inverter 12kw**

#### **1.Product Introduction**

This 12kw solar inverter is a low frequency off grid inverter, suitable for off grid home

Foshan Sunrise Energy Technology Co., Ltd.

Address:Guangfo Intelligent Park, Dali St. Nanhai District, Foshan City, Guangdong Province, China

Tel:+86-13516583501

E-mail:william@srsolarpower.com



www.srsolarpower.com

system. It is a pure sine wave inverter with wide AC input range, suitable for various loads. It has complete protection function, input over/low voltage, overload, short circuit, low battery voltage, over temperature etc.

## 2.Product Parameter (Specification)

Model		GT series							
Rate power		8KW	10KW	12KW	15KW	20KW	25KW	30KW	40KW
Instant power		Three times							
DC Input	DC voltage	96V/192V/240V			192V/240V		240V/360V		
	Battery No. (12V battery)	8pcs/16pcs/20pcs			16pcs/20pcs		20pcs/30pcs		
Battery type		Maintenance-free lead-acid batteries/gel battery/ lithium battery							
AC Input	Phase	Single Phase							
	Frequency	50Hz ± 10%							
	AC input	110V ( 87-127V ) /220V(175-255V) (L+N+G)							
	AC output	110/220VAC (L+N+G) directly							
ACCharger (option)	Floating charge voltage	DC96V:116V/ DC192V:232/ DC240V:290V/ DC360V: 435							
	Overcharge protect voltage	DC96V:124V/ DC192V:248V/ DC240V:310V /DC360V: 465							
	Charge current	10-20A adjustable (Charging current can be customized)							
Invert output	Output voltage	110V/220VAC (L+N+G) ±1%							
	Frequency	50Hz ± 0.1%							
	THD	≤ 3% (Linear load)							
	Dynamic response	5% (0%~100% load )							
	Crest factor	3:1							
Invert efficiency		97%							
Man-machine interface		LCD display panel							
Alarm		Buzzing and LCD screen flicker							
Protection function		Ac overvoltage/under voltage, DC overvoltage/under voltage, Overload, Output short circuit, battery overcharge/overdischarge							
Overload capacity		120% 30s; 125% 10s; 150% 0s							
Communication interface		USB/RS232/SNMP/Wifi ( option )							
Protection class		IP21							
Surge handling capability		10/700US,5KVA;8/20US,20KA							
Noise dB		≤45db							

Foshan Sunrise Energy Technology Co., Ltd.

Address:Guangfo Intelligent Park, Dali St. Nanhai District, Foshan City, Guangdong Province, China

Tel:+86-13516583501

E-mail:william@srsolarpower.com

Cooling mode	Forced ventilation							
Ambient Temperature	Temperature 0-40℃, relative humidity10%-90%, elevation<1000m							
Net weight (kg)	69	77.5	84	108	130	143	161	178
Size (mm)	580*290*675			690*360*870				

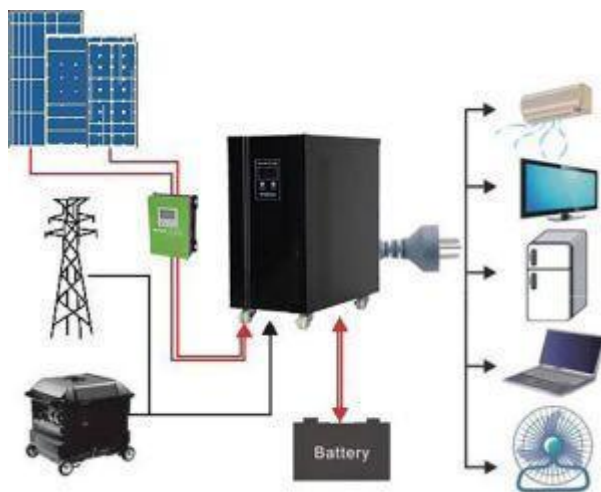
### 3.Product Feature and Application

Main Features:

- 96VDC 192VDC 216VDC 240VDC to AC Inverter;
- AC voltage can be 110V/120V/220V/230V/240V, 50/60Hz;
- Pure sine wave output;
- With wide input range;
- Low frequency inverter with high efficiency transformer;
- Suitable for various types of applications;
- Solar inverter or UPS working mode---user selectable;
- Compatible to mains voltage or generator power;
- Smart battery charger design to optimize battery performance;
- Communication interface: RS232/USB/SNMP/Wifi;-option
- Perfect protection function: input over/low voltage, overload, short circuit, low battery voltage, over temperature etc;
- Stable performance, safe and reliable, long service life.

Application:

This is a off-grid solar inverter 12kw for off grid solar system.



### 4.Product Details

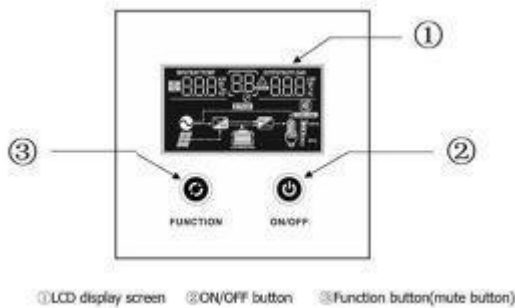
Foshan Sunrise Energy Technology Co., Ltd.

Address:Guangfo Intelligent Park, Dali St. Nanhai District, Foshan City, Guangdong Province, China

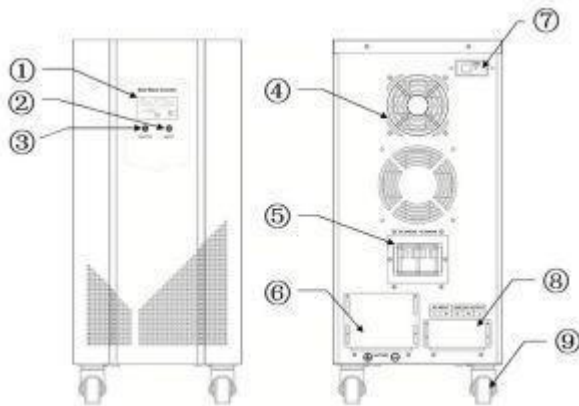
Tel:+86-13516583501

E-mail:william@srsolarpower.com

Low frequency 12kw off grid solar inverter, can connect solar and AC input for backup.



① LCD screen	⑥ Battery connection
② On/Off button	⑦ USB/RS232 communication interface
③ Function button	⑧ Input and output connection terminals
④ Cooling fan	⑨ Wheels
⑤ AC、DC switch	



## 5.Product Qualification

Rich production experience & strict quality control. Before leaving the factory, each 12kw inverter has undergone strict inspections.

Foshan Sunrise Energy Technology Co., Ltd.

Address:Guangfo Intelligent Park, Dali St. Nanhai District, Foshan City, Guangdong Province, China

Tel:+86-13516583501

E-mail:william@srsolarpower.com



## 6. Deliver, Shipping And Serving

Low frequency solar inverter standard export packaging, suitable for various transportation channels. For the hot-selling series of 12kw solar inverter, we have a large inventory and can supply them to you immediately.

Foshan Sunrise Energy Technology Co., Ltd.

Address: Guangfo Intelligent Park, Dali St. Nanhai District, Foshan City, Guangdong Province, China

Tel: +86-13516583501

E-mail: [william@srsolarpower.com](mailto:william@srsolarpower.com)



www.srsolarpower.com



## 7.FAQ

Q: What's the delivery time of this solar inverter 12kw?

A: some in stock; 10 to 25 days for bulk order.

Q: Is it a pure sine wave inverter?

A: yes, 12kw off grid pure sine wave solar inverter.

Q: What is voltage of this 10000w solar inverter?

A: DC can be 96V, 192V,216V,240V; AC can be 110V,120V,220V,230V,240V

Q: Is it an off grid solar inverter?

A: yes, solar inverter 12kw off grid

Q: What is the warranty of this 12000w solar inverter?

A: One year warranty.

Q: What's the payment term of this 12kw single phase solar inverter?

A: T/T, Western Union, Paypal, L/C.

Foshan Sunrise Energy Technology Co., Ltd.

Address:Guangfo Intelligent Park, Dali St. Nanhai District, Foshan City, Guangdong Province, China

Tel:+86-13516583501

E-mail:william@srsolarpower.com