



Inverter 40kw

Low frequency single phase off grid solar inverter 40kw use with battery lithium with gel battery with AGM battery. Inverter 40kw made in China can be customized with low price from Foshan Sunrise. Foshan Sunrise is a professional Inverter 40kw suppliers in China.

Inverter 40kw

Welcome to wholesale and buy customized Inverter 40kw from our factory. You are welcomed to come to our factory to buy the latest selling, newest, cheap, fashion and high quality Inverter 40kw. You can rest assured to buy discount product from us. We look forward to cooperating with you, if you want to know more, you can consult us now, we will reply to you in time!



Low frequency single phase off grid solar inverter 40kw

1.Product Introduction

This solar inverter 40kw is a low frequency off grid inverter, suitable for off grid home system. It is a pure sine wave inverter with wide AC input range, suitable for various loads. It has complete protection function, input over/low voltage, overload, short circuit, low battery voltage, over temperature etc.

2.Product Parameter (Specification)

| | | | | | | | | | |
|------------------------|-------------------------------|---|------|------|-------------|------|-------------|------|------|
| Model | | GT series | | | | | | | |
| Rate power | | 8KW | 10KW | 12KW | 15KW | 20KW | 25KW | 30KW | 40KW |
| Instant power | | Three times | | | | | | | |
| DC Input | DC voltage | 96V/192V/240V | | | 192V/240V | | 240V/360V | | |
| | Battery No. (12V battery) | 8pcs/16pcs/20pcs | | | 16pcs/20pcs | | 20pcs/30pcs | | |
| | Battery type | Maintenance-free lead-acid batteries/gel battery/ lithium battery | | | | | | | |
| AC Input | Phase | Single Phase | | | | | | | |
| | Frequency | 50Hz ± 10% | | | | | | | |
| | AC input | 110V (87-127V) /220V(175-255V) (L+N+G) | | | | | | | |
| | AC output | 110/220VAC (L+N+G) directly | | | | | | | |
| AC Charger (option) | Floating charge voltage | DC96V:116V/ DC192V:232/ DC240V:290V/ DC360V: 435 | | | | | | | |
| | Overcharge protect voltage | DC96V:124V/ DC192V:248V/ DC240V:310V /DC360V: 465 | | | | | | | |
| | Charge current | 10-20A adjustable (Charging current can be customized) | | | | | | | |
| Invert output | Output voltage | 110V/220VAC (L+N+G) ±1% | | | | | | | |
| | Frequency | 50Hz ± 0.1% | | | | | | | |
| | THD | ≤ 3% (Linear load) | | | | | | | |
| | Dynamic response | 5% (0%~100% load) | | | | | | | |
| | Crest factor | 3:1 | | | | | | | |
| | Invert efficiency | 97% | | | | | | | |
| Man-machine interface | | LCD display panel | | | | | | | |
| Alarm | | Buzzing and LCD screen flicker | | | | | | | |

Foshan Sunrise Energy Technology Co., Ltd.

Address:Guangfo Intelligent Park, Dali St. Nanhai District, Foshan City, Guangdong Province, China

Tel:+86-13516583501

E-mail:william@srsolarpower.com

| | | | | | | | | |
|---------------------------|--|------|----|-------------|-----|-----|-----|-----|
| Protection function | Ac overvoltage/under voltage, DC overvoltage/under voltage, Overload, Output short circuit, battery overcharge/overdischarge | | | | | | | |
| Overload capacity | 120% 30s; 125% 10s; 150% 0s | | | | | | | |
| Communication interface | USB/RS232/SNMP/Wifi (option) | | | | | | | |
| Protection class | IP21 | | | | | | | |
| Surge handling capability | 10/700US,5KVA;8/20US,20KA | | | | | | | |
| Noise dB | ≤45db | | | | | | | |
| Cooling mode | Forced ventilation | | | | | | | |
| Ambient Temperature | Temperature 0-40℃, relative humidity10%-90%, elevation<1000m | | | | | | | |
| Net weight (kg) | 69 | 77.5 | 84 | 108 | 130 | 143 | 161 | 178 |
| Size (mm) | 580*290*675 | | | 690*360*870 | | | | |

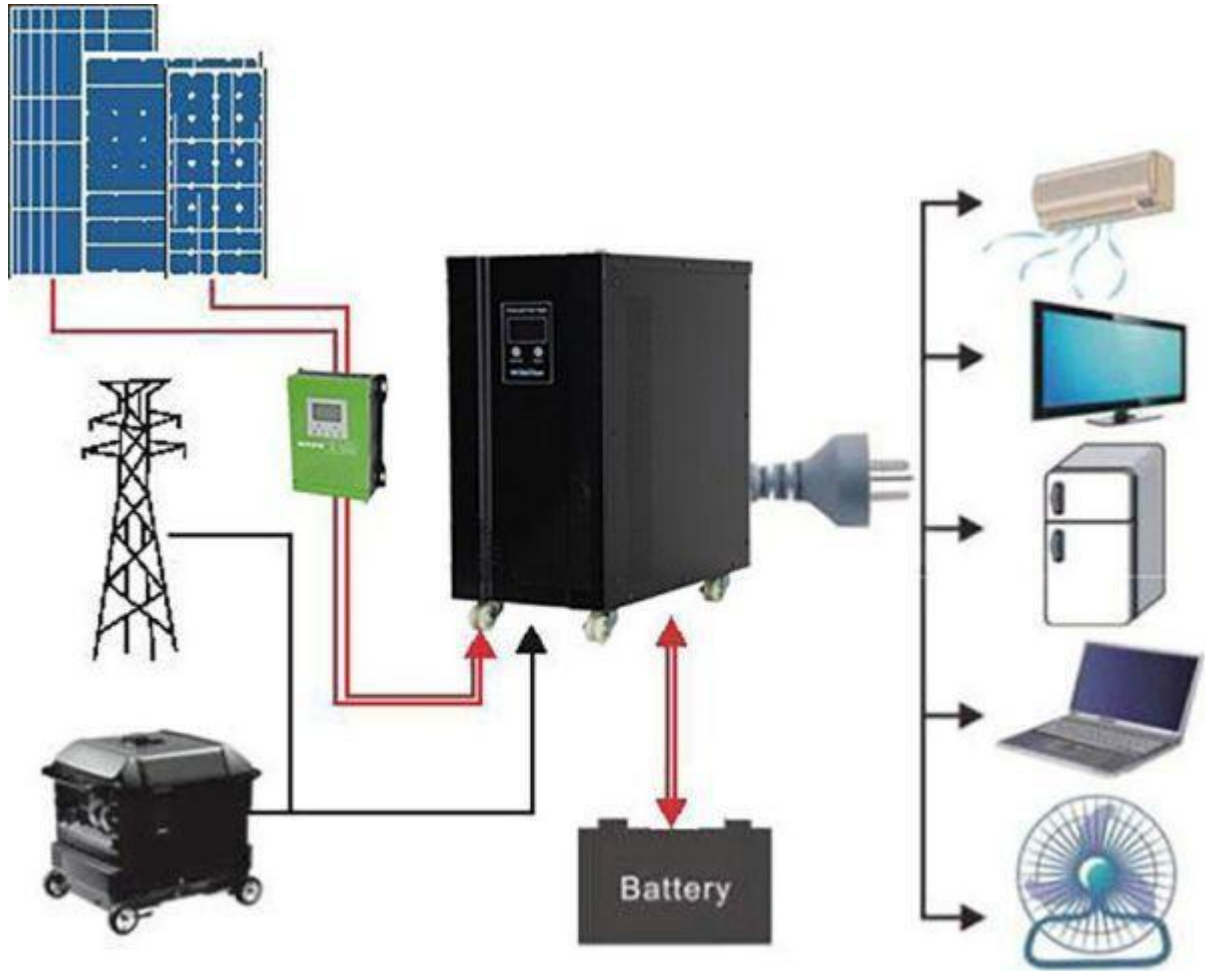
3.Product Feature and Application

Main Features:

- Single phase 40KW inverter;
- 240VDC 360VDC to AC Inverter;
- AC voltage can be 110V/120V/220V/230V/240V, 50/60Hz;
- Pure sine wave output;
- With wide input range;
- Low frequency inverter with high efficiency transformer;
- Suitable for various types of applications;
- Solar inverter or UPS working mode---user selectable;
- Compatible to mains voltage or generator power;
- Smart battery charger design to optimize battery performance;
- Communication interface: RS232/USB/SNMP/Wifi;-option
- Perfect protection function: input over/low voltage, overload, short circuit, low battery voltage, over temperature etc;
- Stable performance, safe and reliable, long service life.

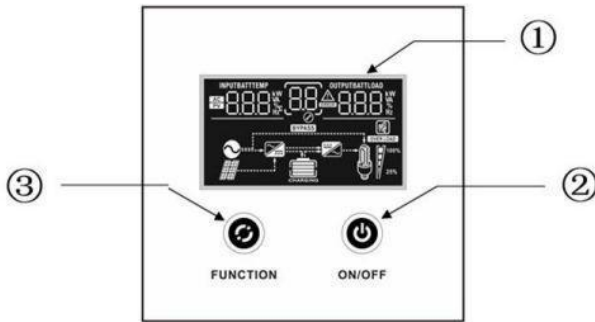
Application:

This is a solar inverter off grid 40kw for off grid solar system.

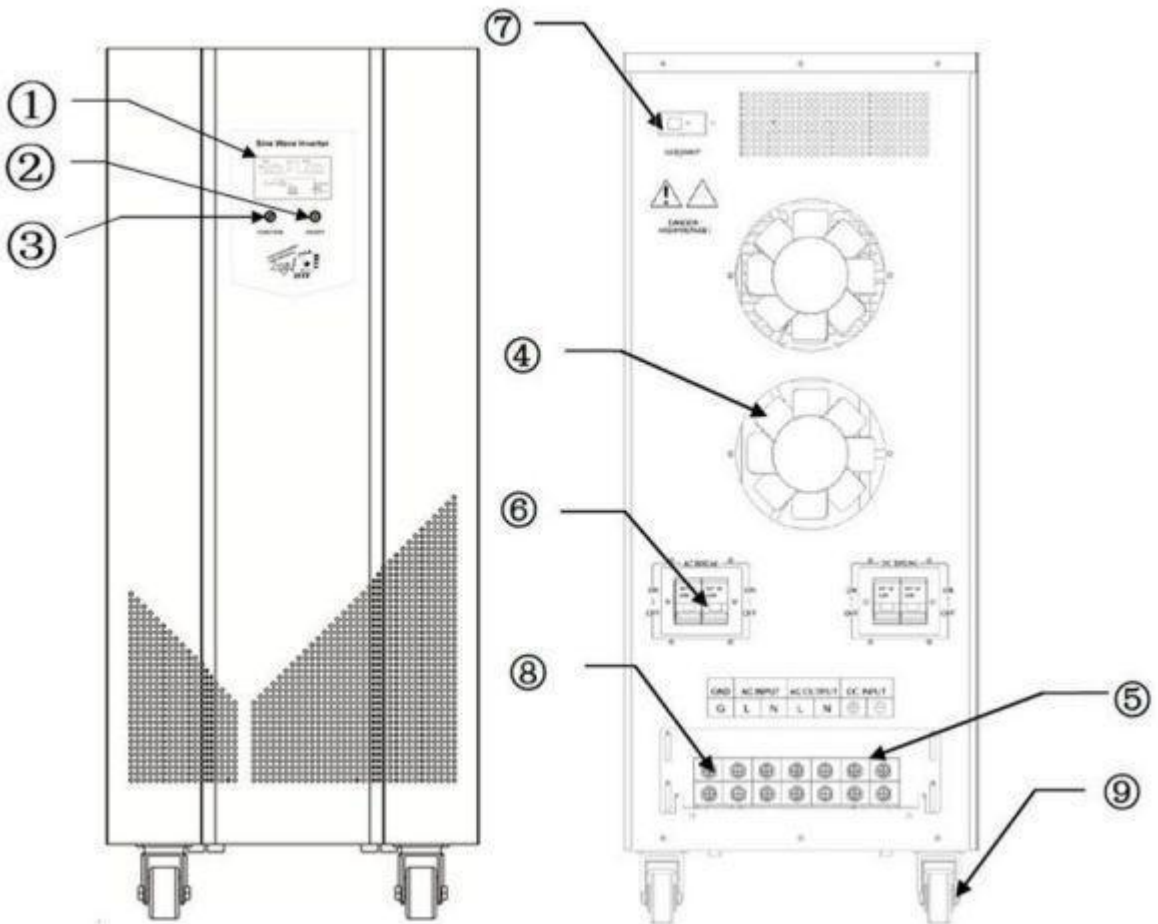


4.Product Details

40kw hybrid solar inverter, can connect solar and AC input for backup.



① LCD display screen ② ON/OFF button ③ Function button(mute button)



| | |
|-------------------|---|
| ① LCD screen | ⑥ Battery connection |
| ② On/Off button | ⑦ USB/RS232 communication interface |
| ③ Function button | ⑧ Input and output connection terminals |
| ④ Cooling fan | ⑨ Wheels |
| ⑤ AC、DC switch | |

Foshan Sunrise Energy Technology Co., Ltd.

Address:Guangfo Intelligent Park, Dali St. Nanhai District, Foshan City, Guangdong Province, China

Tel:+86-13516583501

E-mail:william@srsolarpower.com

5.Product Qualification

Rich production experience & strict quality control. Before leaving the factory, each 40kw inverter has undergone strict inspections.



6.Deliver,Shipping And Serving

Foshan Sunrise Energy Technology Co., Ltd.

Address:Guangfo Intelligent Park, Dali St. Nanhai District, Foshan City, Guangdong Province, China

Tel:+86-13516583501

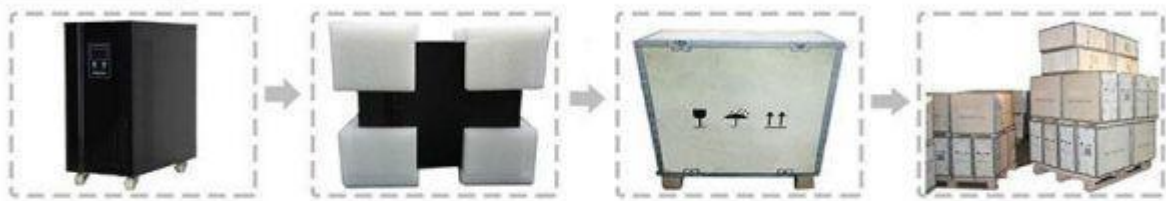
E-mail:william@srsolarpower.com

Low frequency solar inverter standard export packaging, suitable for various transportation channels. For the hot-selling series of 40kw solar inverter, we have a large inventory and can supply them to you immediately.

Payment



Package



Shipping



7.FAQ

Q: What's the delivery time of this solar inverter 40kw?

A: some in stock; 10 to 25 days for bulk order.

Q: Is it a pure sine wave inverter?

A: yes, 40kw pure sine wave solar inverter.

Q: What is the voltage of this inverter solar power 40kw?

A: DC can be 240V 360V; AC can be 240v 230v 220v 120v 110v

Foshan Sunrise Energy Technology Co., Ltd.

Address:Guangfo Intelligent Park, Dali St. Nanhai District, Foshan City, Guangdong Province, China

Tel:+86-13516583501

E-mail:william@srsolarpower.com



www.srsolarpower.com

Q: Is it an off grid solar inverter?

A: yes, solar inverter off grid 40kw.

Q: What is the warranty of this solar inverter 40kw?

A: One year warranty.

Q: What's the payment term of this 40kw single phase solar inverter?

A: T/T, Western Union, Paypal, L/C.

Foshan Sunrise Energy Technology Co., Ltd.

Address:Guangfo Intelligent Park, Dali St. Nanhai District, Foshan City, Guangdong Province, China

Tel:+86-13516583501

E-mail:william@srsolarpower.com